

Code No: R059210305

Set No. 1

**II B.Tech I Semester Supplementary Examinations, February 2008
MACHINE DRAWING**

**(Common to Mechanical Engineering, Mechatronics, Production
Engineering and Automobile Engineering)**

Time: 3 hours

Max Marks: 80

Note: Answer any TWO Questions from PART-A

PART-B is compulsory

PART-A (Marks:30)

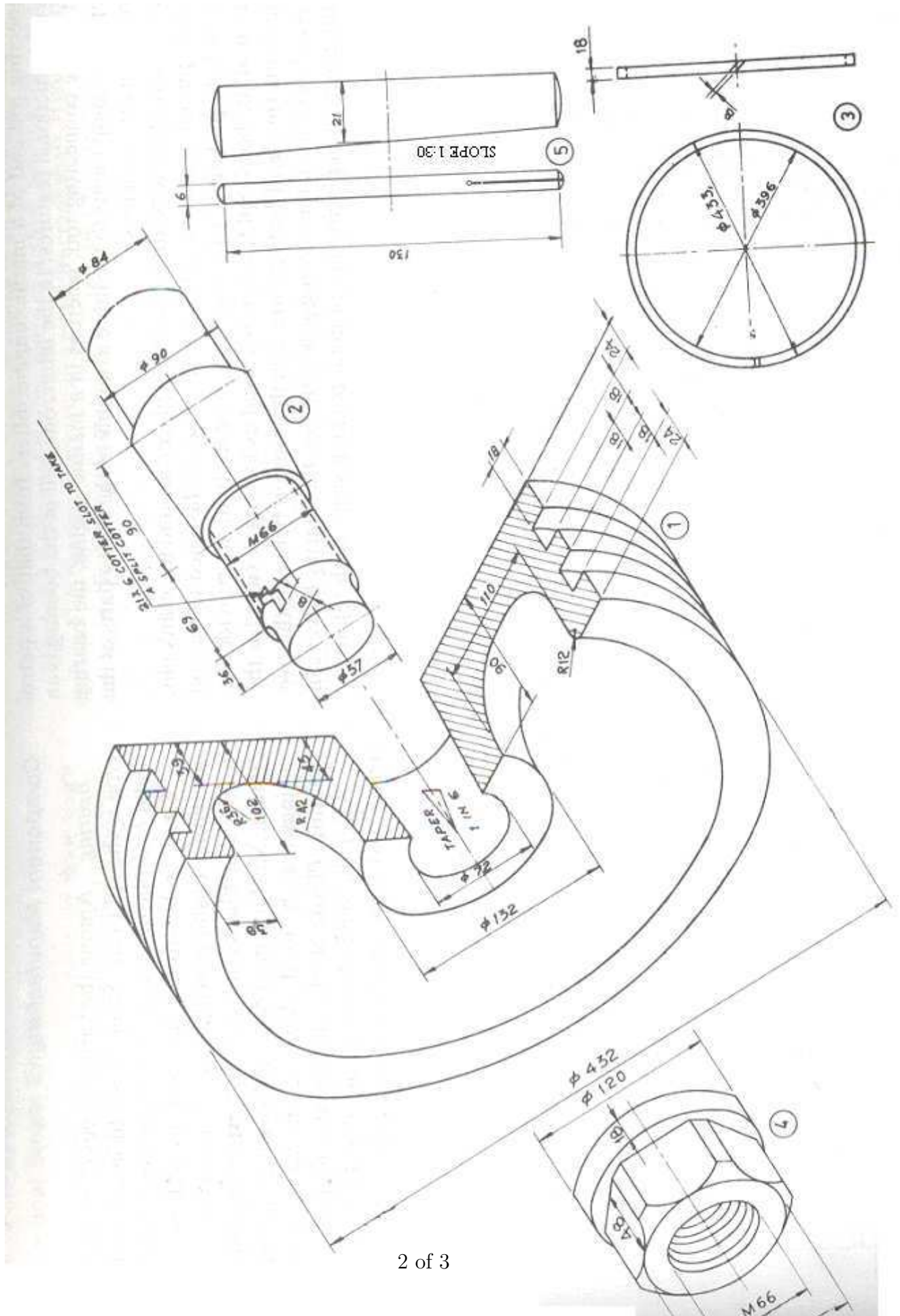
1. Draw the triple start square threads with D as 30 mm.
2. Draw sectional front view and side view of Cotter joint with socket and spigot ends taking d=30 mm.
3. Draw sectional front view and top view of double riveted, zig zag joint with dia of rivet as 10 mm.

PART-B (Marks:50 marks)

4. Draw front view and sectional side view of the assembled locomotive piston rod from the figure 4. [25+25]

Part List

Part No.	Name	Material	Quantity
1.	Piston	C.I.	1
2.	Piston rod	Ni steel	1
3.	Piston ring	C.I alloy	2
4.	Nut	Ni steel	1
5.	Cotter	M.S.	1



Code No: R059210305

Set No. 1

Code No: R059210305

Set No. 2

II B.Tech I Semester Supplementary Examinations, February 2008
MACHINE DRAWING

(Common to Mechanical Engineering, Mechatronics, Production
Engineering and Automobile Engineering)

Time: 3 hours

Max Marks: 80

Note: Answer any TWO Questions from PART-A
PART-B is compulsory

PART-A (Marks:30)

1. Draw two views of locking the nut with set screw if D= 30mm.
2. Draw sectional front view and side view of the Cotter Joint with a gib of 40 square.
3. Draw sectional front view and top view of double riveted, zig zag joint with dia of rivet as 10 mm.

PART-B (Marks:50 marks)

4. Draw the sectional front view (bottom half in section) and left side view of the assembled eccentric from the given figure 4 and part list. Also draw the top view of the same. [30+10+10]

Part List

Part. No.	Name	Material	Quantity
1.	Eccentric strap	C.I.	1
2.	Eccentric strip	C.I.	1
3.	Sheave	C.I.	1
4.	Strap bolt	M.S.	2
5.	Packing strip	Leather	2
6.	Nut	M.S.	2
7.	Nut	M.S.	2

Code No: R059210305

Set No. 3

**II B.Tech I Semester Supplementary Examinations, February 2008
MACHINE DRAWING**

**(Common to Mechanical Engineering, Mechatronics, Production
Engineering and Automobile Engineering)**

Time: 3 hours

Max Marks: 80

**Note: Answer any TWO Questions from PART-A
PART-B is compulsory**

PART-A (Marks:30)

1. Draw the triple start square threads with D as 30 mm.
2. Draw two views of hexagonal headed bolt and nut and square headed bolt along with nut. (D=30mm).
3. Draw the sectional front view and top view of the double riveted double strap zig zag butt joint with dia of the rivet as 14 mm.

PART-B (Marks:50 marks)

4. Draw front view and sectional side view of the assembled locomotive piston rod from the figure 4. [25+25]

Part List

Part No.	Name	Material	Quantity
1.	Piston	C.I.	1
2.	Piston rod	Ni steel	1
3.	Piston ring	C.I alloy	2
4.	Nut	Ni steel	1
5.	Cotter	M.S.	1

Code No: R059210305

Set No. 3

Code No: R059210305

Set No. 4

**II B.Tech I Semester Supplementary Examinations, February 2008
MACHINE DRAWING**

**(Common to Mechanical Engineering, Mechatronics, Production
Engineering and Automobile Engineering)**

Time: 3 hours

Max Marks: 80

**Note: Answer any TWO Questions from PART-A
PART-B is compulsory**

PART-A (Marks:30)

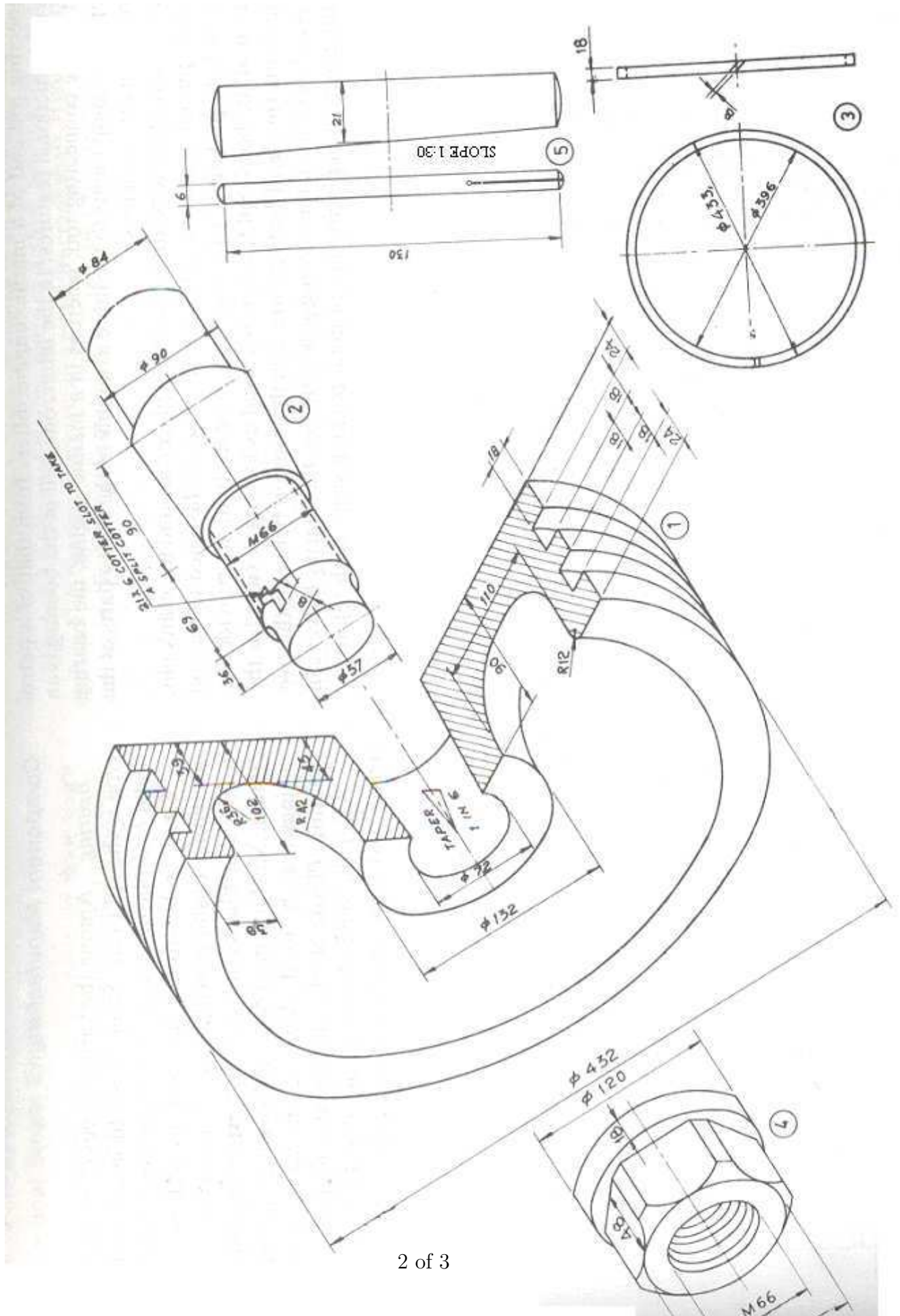
1. Draw at least four types of thread profiles taking pitch as 20 mm.
2. Draw sectional front view and side view of Cotter joint with socket and spigot ends taking $d=30$ mm.
3. Draw pan head, Flush counter sunk head and Truss head type of rivets with a dia of 16 mm.

PART-B (Marks:50 marks)

4. Draw front view and sectional side view of the assembled locomotive piston rod from the figure 4. [25+25]

Part List

Part No.	Name	Material	Quantity
1.	Piston	C.I.	1
2.	Piston rod	Ni steel	1
3.	Piston ring	C.I alloy	2
4.	Nut	Ni steel	1
5.	Cotter	M.S.	1



Code No: R059210305

Set No. 4
